

## FEATURES

- Flushed diaphragm
- Laser welded diaphragm
- Optional flushing ring
- Optional exotic materials

## APPLICATION

- Separation systems
- Isolation applications
- Viscous & corrosive media
- High-pressure applications
- High vibration application

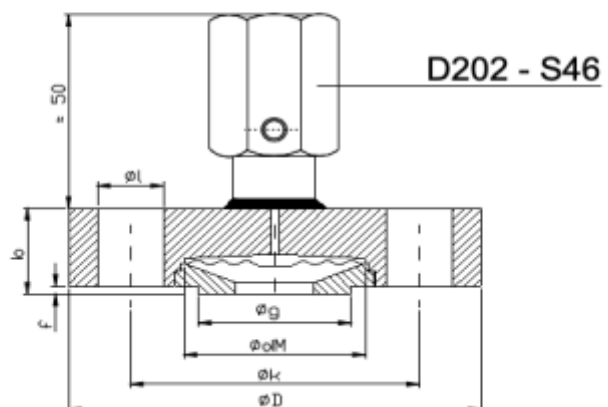
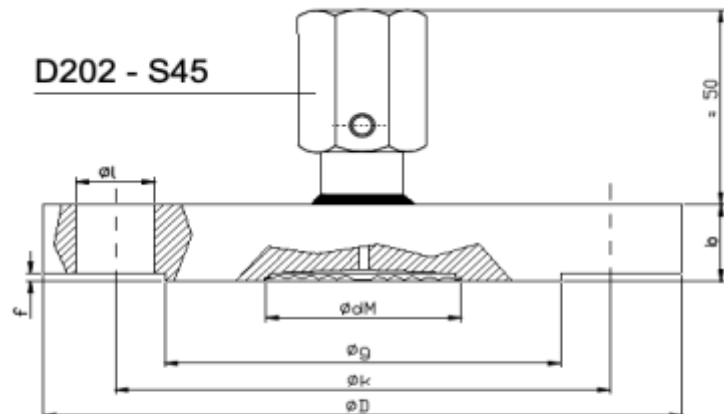
### Flush welded diaphragm



### STANDARD SPECIFICATIONS

Range type	: -1...0 bar to 0...400 bar
Chamber/Flange material	: AISI 316 SS
Diaphragm	: AISI 316L SS
Instrument connection	: 1/2" NPT (F) / 1/2" BSP (F)
System filling fluid	: Silicon DC 200 (-40...205°C)
Process connection	: Flange as per ANSI B16.5 / EN1092-1 / JIS B 2210 / API 6A
Flange facing type	: In line with above standard
Assembly	: Direct or capillary

### DIMENSIONAL DRAWING



D202 - S45 DIMENSION TABLE (this table contains the most frequently used ones, other dimensions or standards not listed in the table are available, RTJ,Groove, API, JIS .... )

DN	CLASS	ASME B16.5 - RF DIMENSIONS (mm)							X	WEIGHT Kg
		dM	D	b	l	k	f	g		
1"	150	32	108	14,2	16	79,2	1,6	50,8	4	1,4
	300	32	123,9	17,5	19	88,9	1,6	50,8	4	1,7
	600	32	124	23,9	19	88,9	6,35	50,8	4	1,9
	900/1500	32	150	34,8	25,4	101,6	6,35	50,8	4	3,6
	2500	32	160	41,5	25,4	108	6,35	50,8	4	5
1 1/2"	150	45	127	17,5	16	98,4	1,6	73,2	4	1,6
	300	45	155,4	21,1	22	114,3	1,6	73,2	4	2,5
	600	45	155,4	29,3	22	114,3	6,35	73,2	4	3,5
	900/1500	45	177,8	38,8	29	123,8	6,35	73,2	4	6
	2500	45	204	51,5	32	146	6,35	73,2	4	10,5
2"	150	59	150	19,5	19	120,6	1,6	92,1	4	3
	300	59	165	22,7	19	127	1,6	92,1	8	4
	600	59	165	32,4	19	127	6,35	92,1	8	6
	900/1500	59	215	45,1	26	165,1	6,35	92,1	8	13,5
	2500	59	235	57,9	29	171,4	6,35	92,1	8	20
3"	150	89	190	24,3	19	152,4	1,6	127	4	6
	300	89	210	29	22	168,3	1,6	127	8	8
	600	89	210	38,8	22	168,3	6,35	127	8	11
	900	89	240	45,1	26	190,5	6,35	127	8	17
	1500	89	265	54,7	32	203,2	6,35	127	8	25
	2500	89	305	73,7	35	228,6	6,35	127	8	43

DN	PN	DIN EN 1992 - 1 FORM B DIMENSIONS (mm)							X	WEIGHT Kg
		dM	D	b	l	k	f	g		
25	10/40	32	115	18	14	85	2	68	4	1,5
	63/100	32	140	24	18	100	2	68	4	2,5
40	10/40	45	150	18	18	110	2	88	4	2,6
	63/100	45	170	26	22	125	2	88	4	4
	160	45	170	28	22	125	2	88	4	4,5
	250	45	185	34	26	135	2	88	4	6,6
50	10/40	59	165	20	18	125	2	102	4	3,5
	63/100	59	180	26	22	135	2	102	4	5,5
	100	59	195	28	26	145	2	102	4	6,5
	160	59	195	30	26	145	2	102	4	7
	250	59	200	38	26	150	2	102	8	9,5
80	10/16	89	200	20	18	160	2	138	8	5
	25/40	89	200	24	18	160	2	138	8	6
	63	89	215	28	22	170	2	138	8	8
	100	89	230	32	26	180	2	138	8	11
	160	89	230	36	26	180	2	138	8	12
	250	89	255	46	30	200	2	138	8	19

D202 - S46 DIMENSION TABLE (this table contains the most frequently used ones, other dimensions or standards not listed in the table are available, RTJ,Groove, API, JIS .... )

DN	CLASS	ASME B16.5 - RF DIMENSIONS (mm)								WEIGHT Kg
		dM	D	b	l	k	f	g	X	
1/2"	150	32	90	22	16	60,5	2	35	4	1,2
	300	40	95	22	16	66,5	2	35	4	1,2
	600	40	85	28,4	16	66,5	6,35	35	4	1,9
3/4"	150	40	100	22	16	69,9	2	42,9	4	1,4
	300	40	115	22	16	82,5	2	42,9	4	2
	600	40	115	28,4	16	82,5	6,35	42,9	4	2,6
1"	150	52	108	22	16	79,2	1,6	50,8	4	1,6
	300	52	123,9	22	19	88,9	1,6	50,8	4	2
	600	52	123,9	28,4	19	88,9	6,35	50,8	4	1,9

DN	PN	DIN EN 1992 - 1 FORM B DIMENSIONS (mm)								WEIGHT Kg
		dM	D	b	l	k	f	g	X	
15	10/40	40	95	22	14	65	2	45	4	1,2
20	10/40	40	105	22	14	75	2	58	4	1,5
25	10/40	52	115	22	14	85	2	68	4	1,8

DN	PN	JIS B 2220 DIMENSIONS (mm)								WEIGHT Kg
		dM	D	b	l	k	f	g	X	
15	10K - 20K	40	95	21	15	70	1	51	4	1,2
20	10K - 20K	40	100	21	15	75	1	56	4	1,5
25	10K - 20K	52	125	21	19	90	1	67	4	1,8

## ORDERING CODES

### 1. RANGE TYPE

**S45** -1...400 bar (Flange 1.5" & above)  
**S46** 4...400bar (Flange ½" to 1")

S46

### 2. FLANGE MATERIAL

<b>LF</b> AISI 316 SS	<b>LC</b> AISI 304 SS
<b>LM</b> Monel 400	<b>LG</b> AISI 316L SS
<b>LV</b> Titanium	<b>LO</b> Hastelloy C-276
<b>LQ</b> Inconel	

LC

Other available on request

### 3. DIAPHRAGM MATERIAL

<b>DG</b> AISI 316L SS	<b>DM</b> Monel 400
<b>DO</b> Hastelloy C-276	<b>DV</b> Titanium
<b>DW</b> Tantalum	<b>DQ</b> Inconel
	<b>D9</b> Gold Plated

DG

### 4. INSTRUMENT CONNECTION

<b>03B</b> 3/8" BSP (F)	<b>04N</b> ½" NPT (F)
<b>02B</b> ¼" BSP (F)	<b>04B</b> ½" BSP (F)
<b>02N</b> ¼" NPT (F)	

04N

### 5. SYSTEM FILLING FLUID

<b>OA</b> Silicon DC 200 [-40°C to 200°C]
<b>OF</b> Food grade oil [-20°C to 140°C]
<b>OI</b> Syltherm 800 [-40°C to 380°C]
<b>OL</b> Silicon DC 710 [0°C to 250°C]
<b>OG</b> HT 270 [25°C to 240°C]

OA

### 6. PROCESS CONNECTION

**XXX** Refer Flange Table for the codes

A25

### 7. FLANGE FACING

<b>F</b> Flat Face	<b>TI</b> Large Tongue
<b>J</b> Ring-Type Joint	<b>GI</b> Large Groove
<b>R</b> Raised Face	<b>TS</b> Small Tongue
	<b>GS</b> Small Groove

R

### 8. PROTECTION ON WETTED PARTS

**PC** PTFE lining / coating  
 (Applicable for S45)

XX

### 9. ASSEMBLY

**B8** Direct  
**B9** Remote (capillary)

### 10. CAPILLARY

**OU** AISI 304 SS      **OV** AISI 316 SS

XX

### 11. ARMOUR

**OX** AISI 304 SS      **OY** AISI 316 SS  
**OZ** PVC (Ambient max. 60°C)

XX

### 12. REMOTE MOUNTING LENGTH

**XXXX** 1000 mm up to 6000 mm  
 For higher length please refer factory

XX

### 13. OTHER OPTIONS

**XZ** Dry seal  
**HL** Helium leak test  
**TC** Material test certificate 3.1  
**MM1** Flange RF Material (S46) : Monel  
**M1a** Flange RF Material (S46) : Hastelloy C-276  
**M1b** Flange RF Material (S46) : Tantalum  
**M1c** Flange RF Material (S46) : Inconel 625  
**MM2** Diaphragm Material Full RF portion Cover (S45) : Monel  
**M2a** Diaphragm Material Full RF portion Cover (S45) : Hastelloy C 276  
**M2b** Diaphragm Material Full RF portion Cover (S45): Tantalum  
**M2c** Diaphragm Material Full RF portion Cover (S45) : Inconel 625  
**TN** Tested to NACE Standard  
**TF** PMI Test  
**TG** IGC Test

XXXX

Ordering Example : **D202-S45-LC-DG-04N-OA-A25-R-FD-XX-B8**

## APPLICABLE ACCESSORIES

**A301** Flushing Ring

