

E-09.13

PBX + Diaphragm Seal



These instruments are designed for use in food, beverage, energy, pharmaceutical, cryogenics, chemical and petrochemical processing industries, and in conventional and nuclear power plants. They are built to resist the most severe operating conditions created by the ambient environment and the process medium. The advantages of filling the case of the instrument with a dampening fluid are reduced pointer fluctuation, reduced wear of rotating parts of the movement, avoidance of contamination to the internal parts by corrosive atmosphere gases, avoidance of condensation of the front window lens, ensuring the instruments are suitable for use on equipment with very high pulsation and severe vibration.

Functional and constructive characteristics

PBX100, PBX150 + Diaphragm Seal

Accuracy class : 1.6

Case diameter : 100 and 150 mm

Ambient temperature : -25...+65°C.

Process fluid temperature : +100°C.

Overpressure limit : 5x FS, 25 bar max.

Pressure chamber : AISI 316 st.st.

Pressure element : AISI 316 st.st. diaphragm

Case and ring : AISI 304 st.st.

Window : glass.

Movement : stainless steel.

Dial : aluminium white with black marking

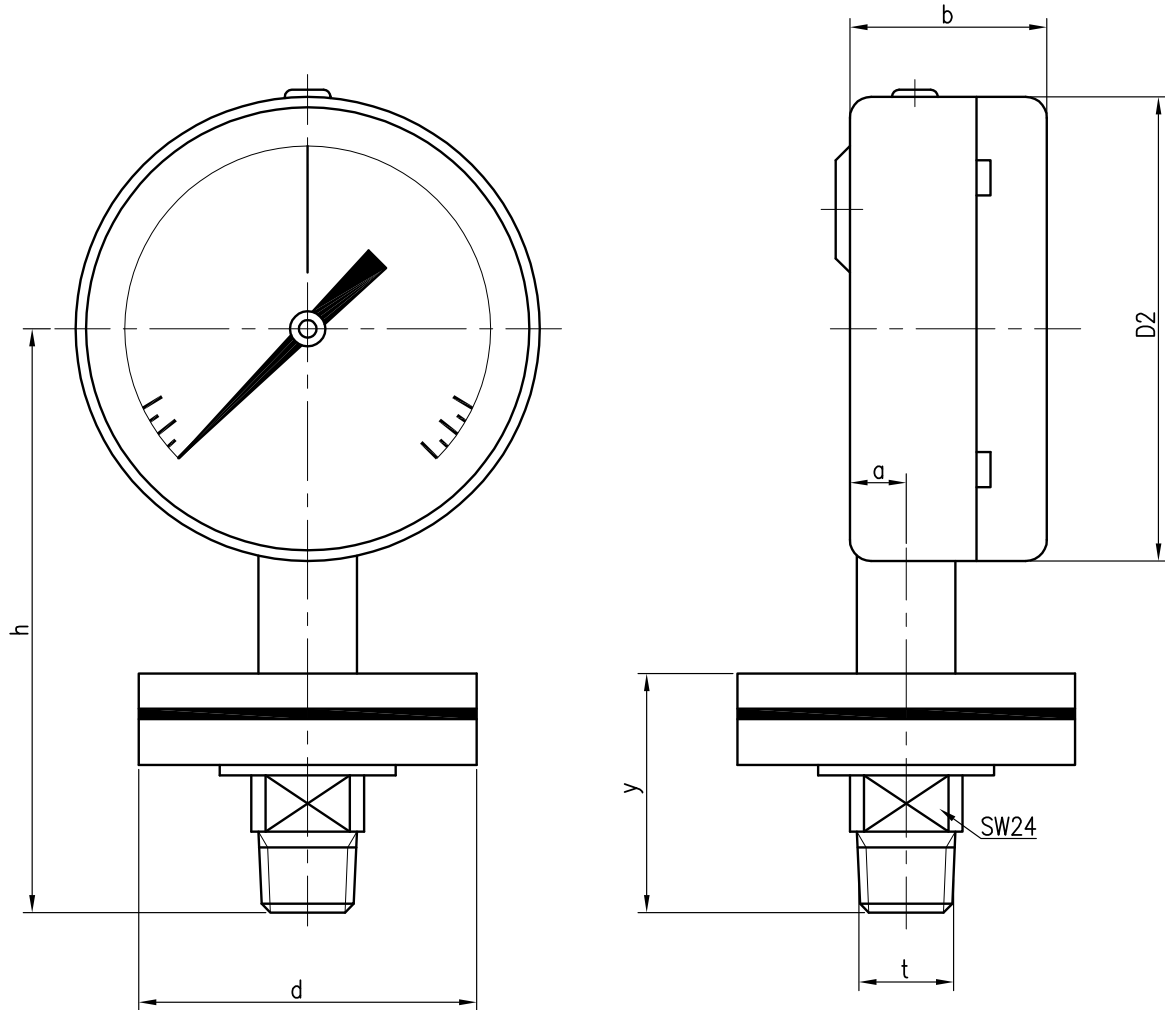
Special dial : ranges different from standard available on request.

Pointer : aluminium alloy black.

Protection class : IP 65

Options : on request

PBX + Diaphragm Seal



DN	Range	d	a	b	D2	t	h	y
100	0/25 to 0/250 mbar	150	17	52	100	1/2" BSP or NPT	146	55
150			17	52	150	1/2" BSP or NPT	171	55
100	0/0.4 to 0/25 bar	110	17	52	100	1/2" BSP or NPT	146	55
150			17	52	150	1/2" BSP or NPT	171	55

Modifications reserved



www.rueger.com www.instrugate.com

Manufacturer of Sensors and Gauges for Temperature & Pressure

RÜEGER SA

Ch. de Mongevon 9
Case postale 98
1023 CRISSIER 1
SWITZERLAND

RÜEGER GmbH

Plieninger Strasse 58
70567 STUTTGART
GERMANY

RÜEGER Sdn Bhd

No. 22-5, Jalan Wangsa Delima 10
D'Wangsa, Wangsa Maju
53300 KUALA LUMPUR
MALAYSIA

BEIJING RÜEGER PRECISION INSTRUMENTS CO., LTD

5th Floor, No. A135, Chengshou Road
Nansanhuan, Chaoyang District
CN-100164 BEIJING
P.R. CHINA

Tel + 41 (0)21 637 32 32
Fax + 41 (0)21 637 32 00
E-mail info@rueger.ch

Tel + 49 (0)711 16-163-0
Fax + 49 (0)711 16-16333
E-mail rgmbh@rueger.com

Tel + 603 - 4142 3808
Fax + 603 - 4142 3909
E-mail sales@rueger.com.my

Tel + 86 - 10 8767 7502 / 3379
Fax + 86 - 10 8761 3727
E-mail sales@bjrueger.com